

ELECTRIC AIR PURIFICATION SYSTEM

CIMR 500

CAUTION: Read and save these instructions for proper procedures and operation.

Contents

Features	3
Specification	3
Principles of Operation	4
Inspection	4
Maintenance	4
Installing the Unit	5
Removing the CIMR Cell	6
Replacing the CIMR Cell	6
Installing Screws for Additional Security	7
Warranty	8

Please record the name and phone of your Hi-Tech Sale Representative:

Name _____

Phone _____

Please record the serial number of your CIMR 500:

Serial Number: _____



Warning! – UV Lamp operation. Do not operate unless the unit is completely and correct assembled. Failure to comply may result in serious eye damage.



Caution! – For outlet installation only! Never connect to an extension cord or other power source. Improper installation could result in electric shock or short.



To reduce the risk of electric shock, this equipment has a grounding type plug that has a third (grounding) pin. This plug will only fit into a grounding type power outlet. If the plug does not fit into the outlet, contact qualified personnel to install the



Location for Protective Earth Line.

Features

- Secure Installation
- No Duct Work Required
- Low Maintenance
- Complete User Control
- Plugs into 120 volt outlet
- Retain Use of Outlet
- Compact
- No Chemicals
- Low Power Use
- No Residual Contamination
- Washable Filter
- Two (2) Outlets

Specifications

Features:

- Low / OFF / High Switch
- Replacement CIMR Cell
- Two (2) Outlets

Electrical:

- 120V ~, 60 Hz, 10.25 amp

Coverage:

- Up to 500 sq. ft. (46.5 sq. m)

Warranty:

- Length of warranty will vary depending on model. See warranty card for specific details.

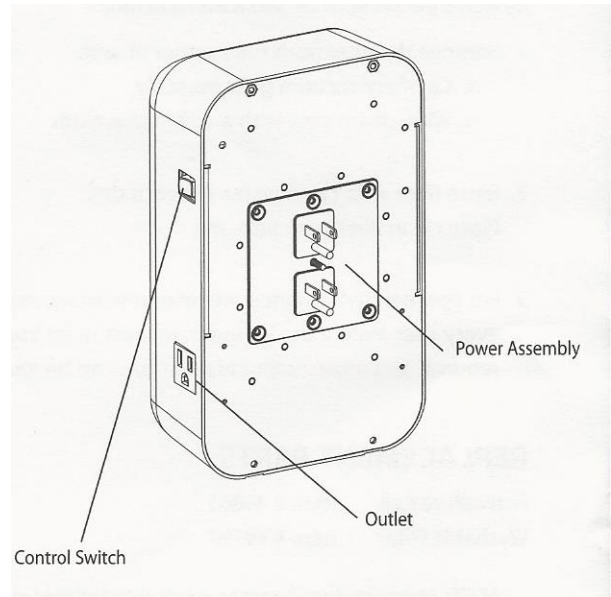
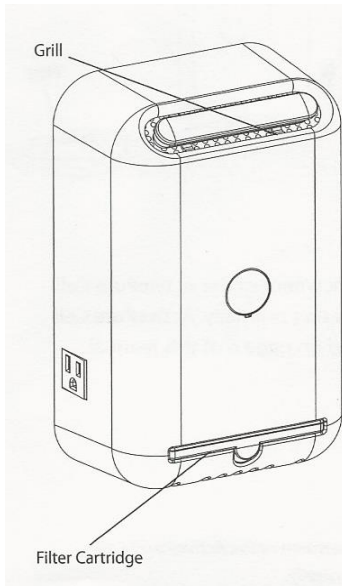
- 13 watts power consumption (PHX only)

Mechanical:

- One 3-setting control switch

Size:

- Height: 12" (30 cm); Width: 6" (15.5 cm); Depth: 4" (10 cm)
- Weight: 2.9 pounds (1.3 kg)



Caution!!- Never plug a device with a rating greater than 10 amps to either outlet on the CIMR 500

Principles of Operation

When the CIMR 500 system is in operation, the CIMR cell is designed to reduce odors, germs, bacteria and mold patent pending process.

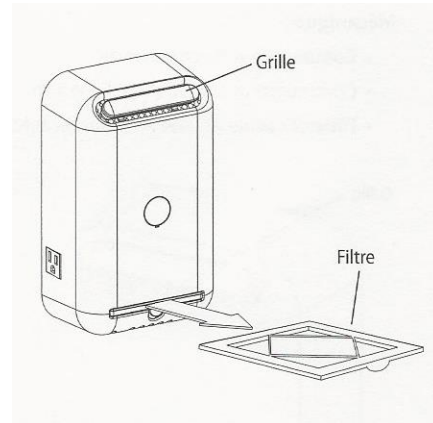
Inspection

1. Remove unit from shipping carton.
2. Re-move all packing materials.
3. Check for loose or broken parts from shipping damage.
4. Read owner's manual thoroughly prior to installation.
5. Determine placement location for the unit, follow installation instructions in this owner's manual.

Maintenance

The CIMR 500 requires little maintenance beyond annual replacement of the CIMR Cell. Regular monthly cleaning of the grills, filter and case is recommended. Please contact you local sales representative when service is required.

1. Remove the fliter from the bottom of unit.
 - a. Carefully vacuum grills monthly
 - b. Wipe down case with a soft, damp cloth
2. Rinse filter with clean water. Allow to dry. Place clean filter back into unit.
3. For optimal performance, we recommend the replacement of the CIMR cell every year under heavy use or three 2 years under normal use even if the lamp appears to be working.



Replacement Parts

CIMR Cell for CIMR 500

Washable Filter for CMIR 500

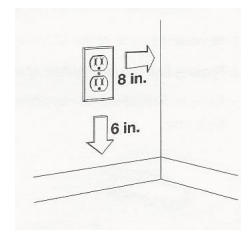
Note: For optimal performance, we recommend the replacement of the CIMR Cell every year for maximum performance

Installing the Unit

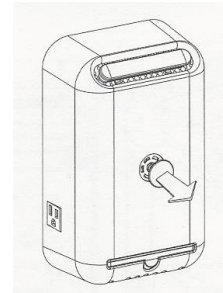


Caution! – Disconnect power at the breaker or fuse panel before installing unit. Unit switch should be in OFF position

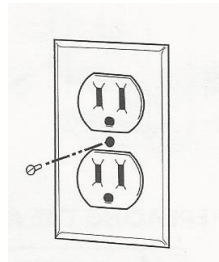
1. Locate a grounded outlet with proper clearances. **It is not recommended to use a GFCI (Ground Fault Circuit Interrupter) equipped outlet.**



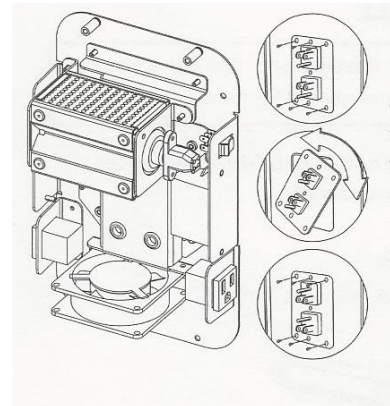
2. Remove the center cap of the CIMR 500 by inserting a small blade under the cap edge and lift



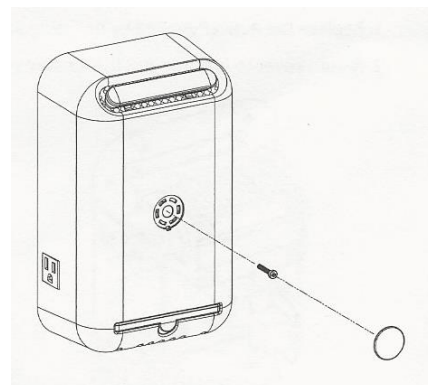
3. Remove the screw from outlet faceplate (Leave faceplate on the outlet.)



4. The plug on the back of the CIMR 500 can rotate 90° or 180° to fit your outlet



5. Insert CIMR 500 into outlet and secure from the front through the attachment hole with screw provided.



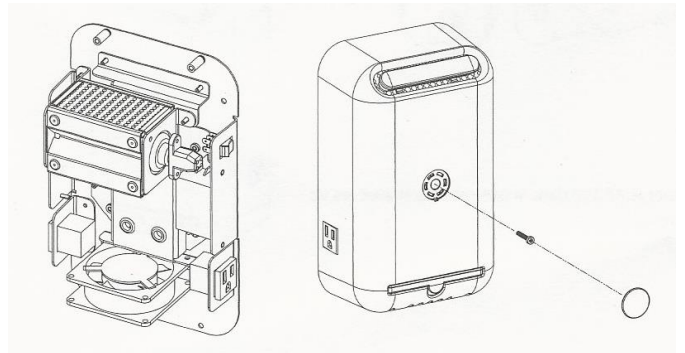
Removing the CIMR Cell



Caution! - Disconnect power at the breaker or fuse panel before installing unit. Unit switch should be in OFF position.

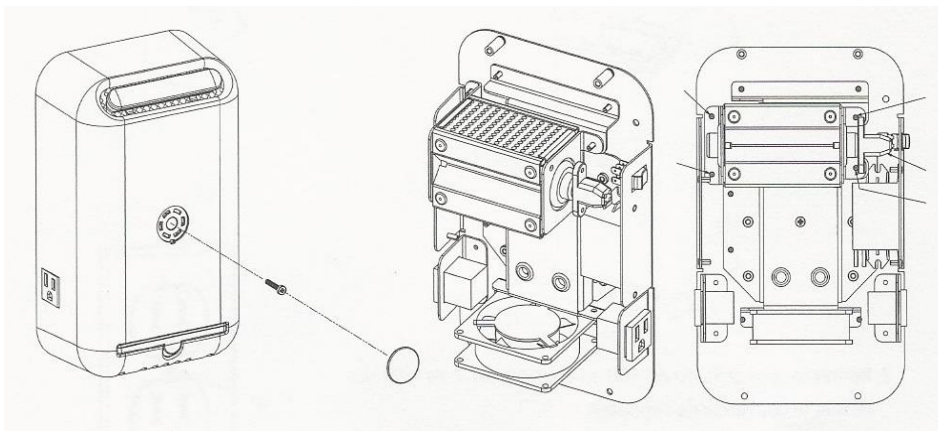
Note: For optimal performance , we recommend the replacement of the CIMR Cell every year.

1. Remove the cover of the CIMR 500 by removing the 4 screws on back.
2. Remove four (4) nuts holding CIMR Cell in place.
3. Remove CIMR Cell by lifting it out.
Disconnect the bulb power connector from the bulb end.



Replacing the CIMR Cell

1. Replace the CIMR Cell by reversing steps above.
2. Return cover to unit and put the 4 cover screws back into place.



Important Hi-Tech Warranty Information:

Hi-Tech products with valid serial numbers are warranted by Hi-Tech, 105 Magnolia Lane, Silsbee, TX 77656, to the original purchaser, only to be free from defect in materials and workmanship for three (3) years from date of purchase (Excluding CIMR cell and Lamp which are warranted for one (1) year from date of purchase). If a valid serial number is missing from product, the warranty will be voided. To confirm warranty coverage prior to purchasing a product, contact Hi-Tech at 866.231.3687 with the serial number located on the back of the unit.

Hi-Tech products are authorized for sale through Independent Hi-tech Sales Representatives only. Warranties are voided if a product is purchased through unauthorized channels. Hi-Tech will not extend warranty coverage on any product sold in a manner that violates Hi-Tech's Internet Advertising Guidelines. This includes websites that are not authorized to use Hi-Tech's trademarked names, images, and logos, as well as Internet auction sites. The only approved Internet presence for Hi-Tech products are Hi-Tech's corporate web address www.cimrtech.com.

Hi-Tech's liability under this Warranty shall be limited to repair, or at Hi-Tech's option, replacement without charge, except for transportation. All transportation charges on parts, or units, submitted under this Warranty shall be borne by purchaser. Hi-Tech shall perform all warranty work at the office location for the address describes on the warranty card, and purchaser must deliver defective parts, or units to that address. Unless this Warranty is expressly renewed or extended by Hi-Tech, any repairs or replaced part or unit shall be warranted to the original purchaser only for the length of the unexpired portion of the original warranty.

Products which are returned for repair after the warranty period, do not have a valid serial number thereby a voided warranty, or which show damage for which Hi-tech is not responsible, will be repaired for a reasonable charge. Hi-Tech will advise purchaser of the cost before proceeding. This Warranty shall not apply to any unit which Hi-Tech's reasonable judgment has been subject to alteration, misuse, negligence or accident, or damage resulting from improper service by person not authorized by Hi-Tech to perform such work, or from usage with any but the specified voltage, or any product without a valid serial number.

The obligations of Hi-Tech herein are expressly granted in lieu of all warranties, whether expressed or implied, including, but not limited to, implied warranties of merchantability and fitness for a particular purpose, and shall be effective for three (3) years from the date of original purchase of this unit (one (1) year for CIMR cell and lamp). All implied warranties including warranties of merchantability and fitness for a particular purpose are limited to the term express warranty granted herein. However, some states do not allow limitations on how long an implied warranty lasts, so the above may not apply to you.

With the exception of damages resulting from Hi-Tech's failure to comply with any obligation under Federal or State Warranty Law, Hi-Tech SHALL NOT BE LIABLE TO THE PURCHASER, OR ANYONE ELSE, FOR DAMAGES INCLUDING, BUT NOT LIMITED TO, CONSEQUENTIAL DAMAGES, AND DAMAGES BY REASON OF INJURY TO ANY PERSON, DUE TO DEFECT OR MALFUNCTION OF THE UNIT, OR ANY PART OR PARTS THERE, OR FRO ANY OTHER REASON. Some states do not allow the exclusion or limitation of limitation of incidental or consequential damages, so the above limitation or exclusion may not apply to you.

This Warranty gives you specific legal rights, and you may also have other rights which vary from state to state. If your unit is defective, please contact Hi-Tech, 866.231-3687, or www.cimrtech.com. Please detach and keep for your records. Mail Warranty Card Information to Hi-Tech, or email it to cimrtech@yahoo.com within 10 days of purchase for activation of warranty.

HI-TECH AIR PURIFICATION SYSTEMS

WARRANTY FORM

CUSTOMER NAME

ADDRESS

PHONE

UNIT: _____ SERIAL # _____

DATE OF PURCHASE _____

PLEASE FILL OUT ALL INFO AND RETURN IMMEDIATELY
YOU MAY EITHER MAIL OR EMAIL IT TO:

Hi-Tech Air Purification Systems
Lamar CICE
5091 Rolfe Christopher Suite 213
Beaumont, TX 77705

cimrtech@yahoo.com

This equipment has been tested and found to comply with the limits for Industrial, Scientific, and Medical Equipment (ISM), pursuant to Part 18 of the FCC Rules. These limits are designed to provide reasonable protection against harmful interference in a residential installation. This equipment generates, uses, and can radiate radio frequency energy, and if not installed and used in accordance with the instructions, may cause harmful interference to radio communications. However, there is no guarantee that interference will not occur in a particular installation. If this equipment does cause harmful interference to radio or television, which can be determined by turning the equipment off and on, the user is encouraged to try to correct the interference by one or more of the following measures: Reorient or relocate the receiving antenna. Increase the separation between the equipment and receiver. Connect the equipment into an outlet on a circuit different from that to which the receiver is connected. Consult the Business Owner or an experienced radio/TV technician for help.

FCC Declaration of Conformity

Name: Hi-Tech Air Purification Systems

Model: CIMR 500

This device complies with Part 18 of the FCC Rules.

Hi-Tech Air Purification Systems, LLC

Lamar CICE

5091 Rolfe Christopher

Suite 213

Beaumont, TX 77705

Phone 866.231.368 www.cimrtech.com