



CIMR[®] 500



EQUIPMENT MANUAL

Active Air and Surface Pathogen Scavenging Technology



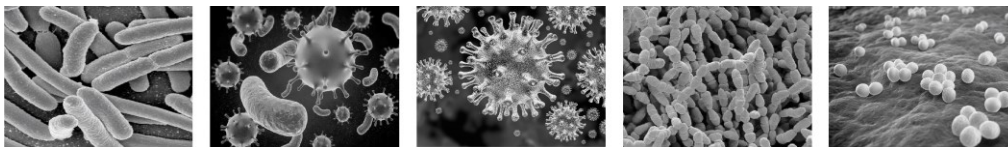
CONTENTS	PAGE
SECTION 1	3
HOW CAN...	3
CIMR®'S CAPABILITIES	3
CIMR®'S CREDENTIALS	4
CIMR®'S COMPLIANCE	4
CIMR®'S CUSTOMERS	5
SECTION 2	5
DESCRIPTION AND TYPE	5
FACILITIES AND APPLICATIONS	5
SAFETY PRECAUTIONS	6
UNIT FEATURES	7
DIMENSIONS	7
SPECIFICATIONS	7
INSPECTION	8
MAINTENANCE	8
REPLACEMENT PARTS	9
INSTALLING THE UNIT	9
REMOVING THE CIMR® CELL	11
REPLACING THE CIMR® CELL	12
FCC STATEMENT AND USER INFORMATION	13
WARRANTY	13

CONTINUOUS INFECTIOUS MICROBIAL REDUCTION (CIMR®)
Active Air and Surface Pathogen Scavenging Technology
A Unique and Proprietary Solution

SECTION 1

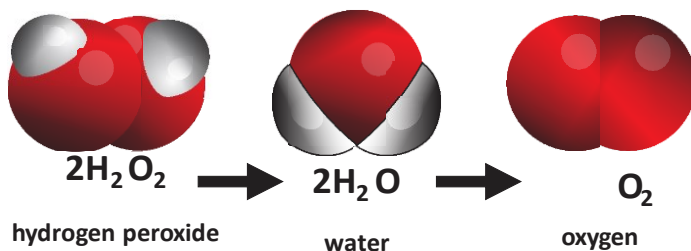
HOW CAN...

- People safely occupy shared indoor air spaces?
- Indoor air and surfaces be sanitized effectively to ensure a healthy environment?
- We combat and eliminate the transmission and spreading of pathogens (viruses, bacteria, fungi, and molds).
- We be protected from future variations and mutations 24/7/365.



CIMR®'S CAPABILITIES

- CIMR®'s Air Infusion Technology is designed specifically to kill airborne and surface pathogens.
- CIMR® is an ultra-low level, safe and effective Hydrogen Peroxide-based air and surface disinfectant system that produces zero ozone.
- Hydrogen Peroxide (water and oxygen) actively targets and deactivates both aerosolized and surface pathogens in enclosed spaces.
- CIMR® produces 0.02 ppm (parts per million) of Hydrogen Peroxide at 1/50th of OSHA (Occupational Safety and Health and Administration) limits.



- CIMR® continuously purifies the air much faster than other systems and chemicals.
- CIMR® is military-grade technology and scientifically proven through numerous independent tests.
- CIMR® eliminates up to 99.9% pathogens.
- Similar levels of Hydrogen Peroxide are present in the outside air.

CIMR[®]'S CREDENTIALS

- CIMR[®] was developed in 2004 by Alton Holt while working with the US Army Corps of Engineers, US Army and US Navy.
- CIMR[®]-TECH, a division of HI-TECH, is the only designer, developer, and supplier of CIMR[®] Technology, equipment and programs.
- HI-TECH provides customized engineering design systems and services based on decades of experience, independent testing and scientific reviews.
- Hundreds of military facilities have been and are using CIMR[®] with thousands of units installed worldwide.
- CIMR[®] was tested, in accordance with national and international standards as required by regulatory authorities.
- CIMR[®] is registered, and verified by accredited, and independent authorities, and scientific labs.



CIMR[®]'S COMPLIANCE

- CIMR[®] was independently tested, is safe and has no adverse effects on metal, wood, fabric, and electronic equipment.
- CIMR[®] is FDA (Food Drug Administration) compliant.
- CIMR[®] carries the CARB (California Air Resources Board) certifying ZERO ozone emissions.



- CIMR[®] meets and exceeds EPA (Environmental Protection Agency), OSHA (Occupational Safety and Health Administration), CDC (Center for Disease Control) and the WHO (World Health Organization) Regulations in Air and Surface Disinfection standards.
- CIMR[®] technology and equipment has achieved various certifications, registrations, compliance seals, and stamps of approval.



CIMR®'S CUSTOMERS

- The United States Military, US Army Corps of Engineers, FEMA (Federal Emergency Management Agency),
- State and County facilities, United State Department of Homeland Security, and National Historical Society.
- Universities, schools and colleges such as Lamar University, Beaumont, Texas, Texas Educational Systems and Houston Baptist University.
- Hospitals, clinics, doctor's offices and senior care homes.
- Entertainment venues, corporate offices, oil and gas drilling, hotel and leisure facilities.
- Shelters, food production and processing facilities, places of worship, churches and homes.

SECTION 2

DESCRIPTION AND TYPE

- The CIMR® 500 is designed to provide years of trouble-free, low maintenance operation.
- Designed for residential, health care environment and light commercial use.
- Provides air and surface sanitization in single room.
- Small, durable compact unit
- Easy and secure installation
- No duct work required
- Low maintenance
- Complete user control
- Plugs into 120-volt outlet
- Retain use of the outlet
- No chemicals
- Low power use
- No residential contamination
- Washable filter
- Two (2) outlets

FACILITIES AND APPLICATION

- Small or isolated indoor spaces.
- Offices and waiting rooms.
- Small lobbies and hotel rooms.
- Nursing home rooms and dorm rooms.
- Hostels and public restrooms.

SAFETY PRECAUTIONS



WARNING!

- To ensure UV light operation, do not operate unless the CIMR[®] unit is completely and correctly assembled.
- Failure to comply may result in serious eye damage.

CAUTION!

- Be sure to read and follow all service procedures outlined in this user manual.
- Use only genuine CIMR[®] replacement parts available from your CIMR[®] distributor.
- For outlet installation only!
- Never connect to an extension cord or other power source.
- Improper installation could result in electric shock or short.
- To reduce the risk of electric shock this CIMR[®] unit has a grounding type plug that has a third (grounding) pin.
- This plug will only fit into a grounding type power outlet.
- If the plug does not fit into the outlet contact qualified personnel to install the equipment.
- The CIMR[®] unit has been tested and found to comply with the limits for Industrial, Scientific, and Medical Equipment (ISM), pursuant to Part 18 of the FCC Rules.
- These limits are designed to provide reasonable protection against harmful interference in a residential installation.
- The CIMR[®] unit generates, uses, and can radiate radio frequency energy, and if not installed and used in accordance with the instructions, may cause harmful interference to radio communications.
- However, there is no guarantee that interference will not occur in a particular installation.
- If this equipment does cause harmful interference to radio or television, which can be determined by turning the equipment off and on, the user is encouraged to try to correct the interference by one or more of the following measures :
 - Reorient or relocate the receiving antenna.
 - Increase the separation between the equipment and receiver.
 - Connect the equipment into an outlet on a circuit different from that to which the receiver is connected.
 - Consult the business Owner or an experienced radio/TV technician.

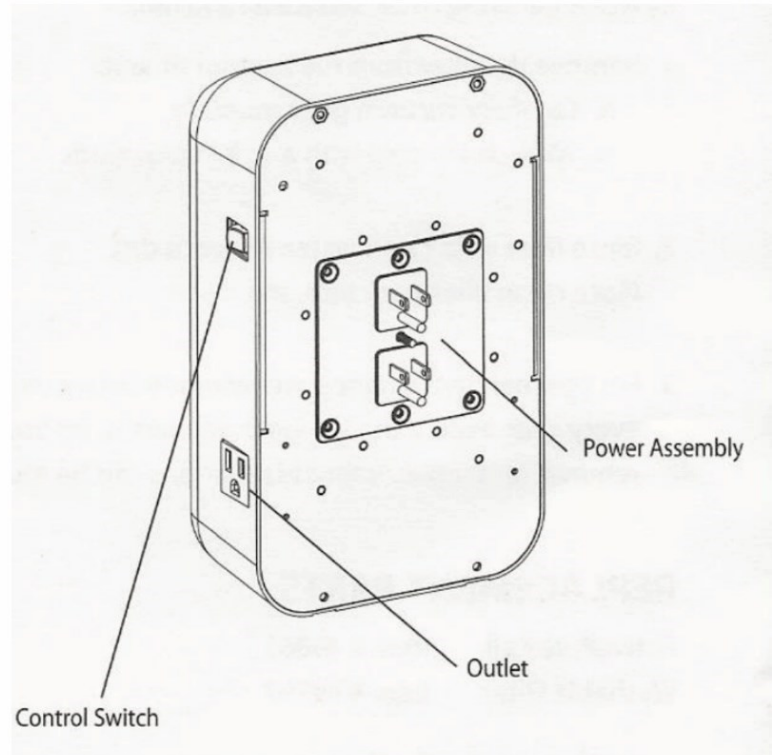
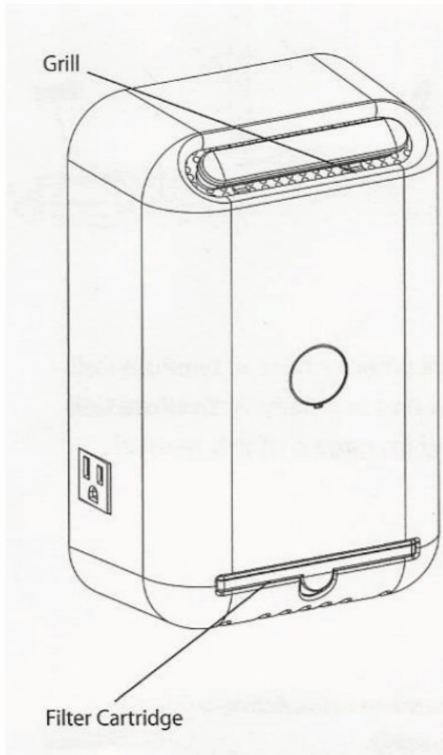
UNIT FEATURES

DIMENSIONS:

Unit:	10.75 x 6.5 x 4 inches 27.31 x 16.51 x 10.16 cm
Boxed:	11 x 7 x 6 inches 27.94 x 17.78 x 25.81 cm
Weight:	4 lbs./1.81 kg

SPECIFICATIONS:

Electrical:	110 - 120V, 60Hz 10.25A 3-sprong electrical wall receptacle
Mechanical:	1 x Fan 1 x 3 inches/7.62 cm CIMR® Cell 1 x UV light
Power usage:	13 Watts
Coverage:	500 square foot/47 square meters
Please note:	Square foot/meters capacity and sizing is based on 8 - 10 foot/2.44m – 3.05 meters ceiling heights

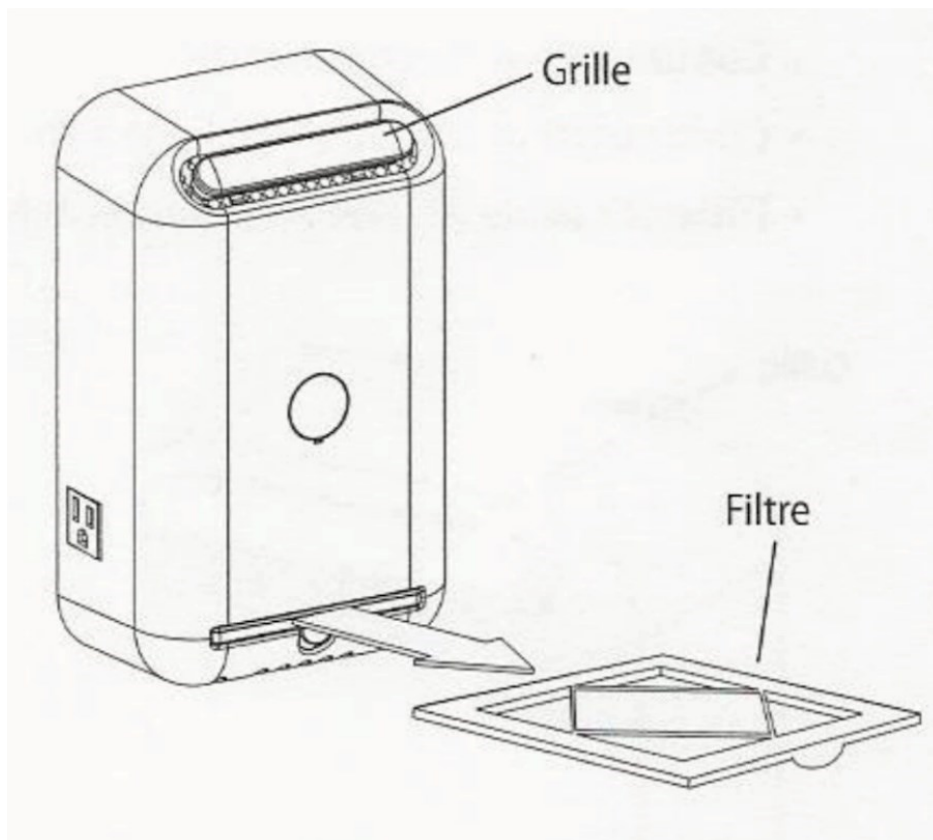


INSPECTION

- Remove the CIMR® unit from the shopping carton.
- Remove all packaging materials.
- Check for loose or broken parts should there be shipping damage.
- Read the content of this manual thoroughly prior to installation.
- Determine placement location for the CIMR® unit, follow installation instructions carefully.

MAINTENANCE

- The CIMR® 500 requires little maintenance beyond annual replacement of the CIMR® cell.
- Regular monthly cleaning of the grills, filter and case is recommended.
- Please contact your local sales representative when service is required.
- Remove the filter from the bottom of the CIMR® unit.
- Carefully vacuum grills monthly.
- Wipe down case with a soft, damp cloth.
- Rinse filter with clean water.
- Allow to dry. Place clean filter back into the CIMR® unit.
- For optimal performance, we recommend the replacement of the CIMR® cell every year under heavy or three (3) years under normal use even if the lamp appears to be working.



REPLACEMENT PARTS

- CIMR® cell for the CIMR® 500
- Washable Filter for CIMR® 500

NOTE:

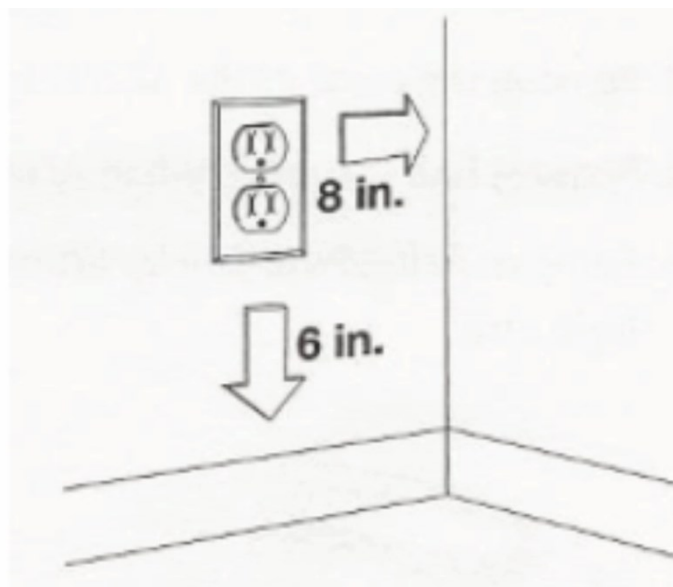
For optimal performance, we recommend the replacement of the CIMR® cell every year for maximum performance.

INSTALLING THE UNIT



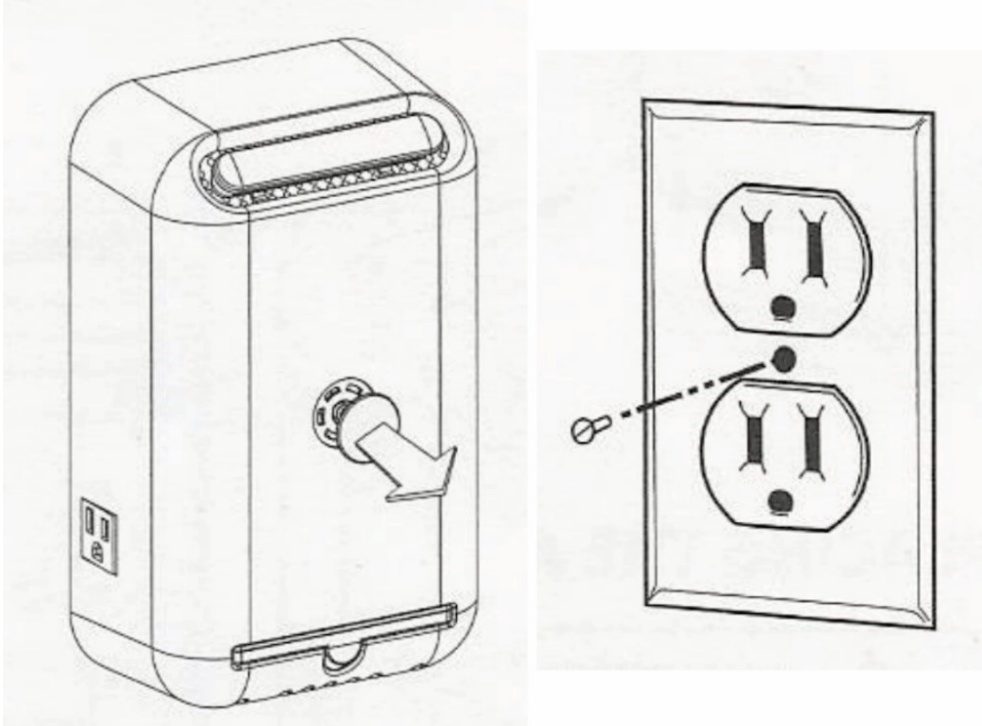
WARNING!

- **Disconnect power at the breaker or fuse panel before installing the CIMR® unit.**
- **Unit switch should be in the OFF position.**
- Locate a grounded outlet with proper clearances.
- It is not recommended to use a GFCI (Ground Fault Circuit Interrupter) equipped outlet.

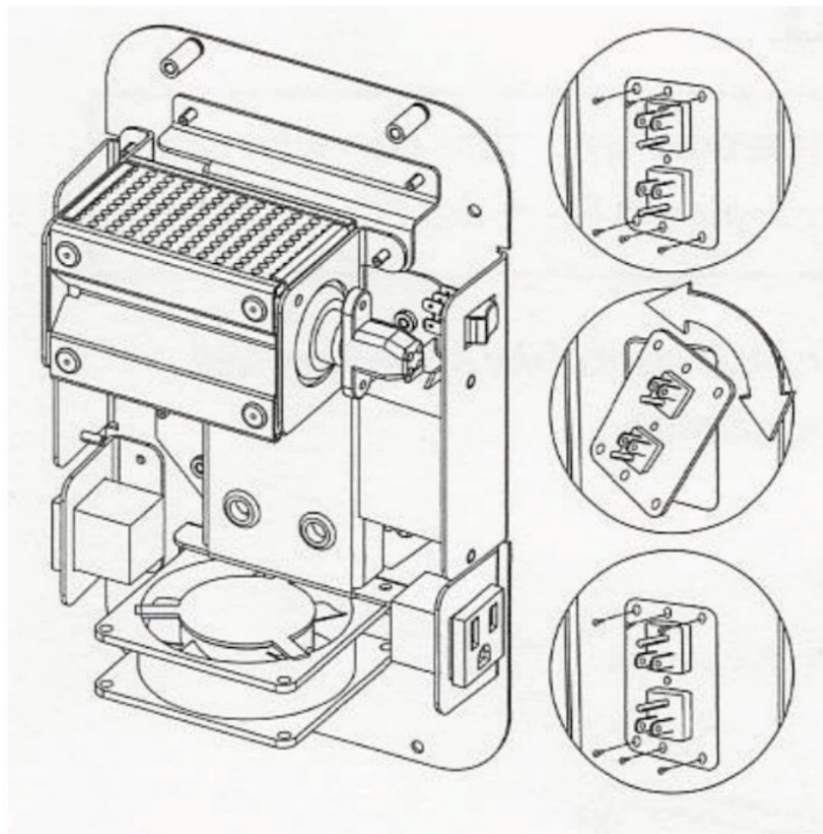


- Remove the center cap of the CIMR® unit by inserting a small blade under the cap edge and lift.
- Remove the screw from the outlet faceplate (leave faceplate on the outlet).

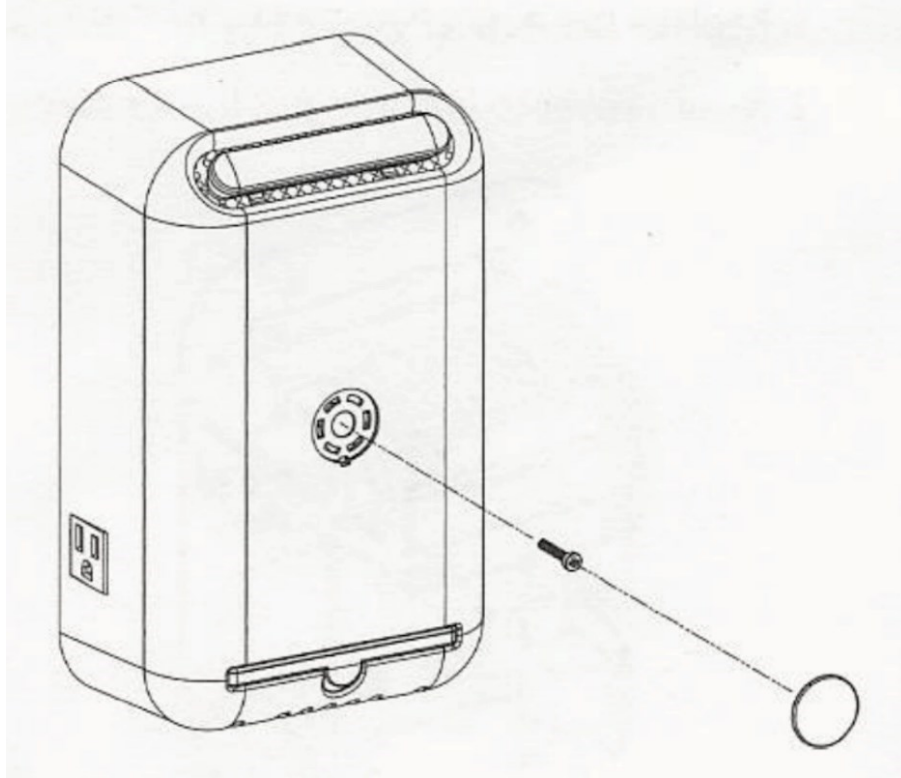
- If the faceplate is metal, replace it with a plastic face plate to avoid damage.



- The plug on the back of the CIMR® unit can rotate 90 degrees or 180 degrees to fit the outlet.



- Insert the CIMR® unit into the outlet and secure from the front through the attachment hole with screw provided.



REMOVING THE CIMR® CELL

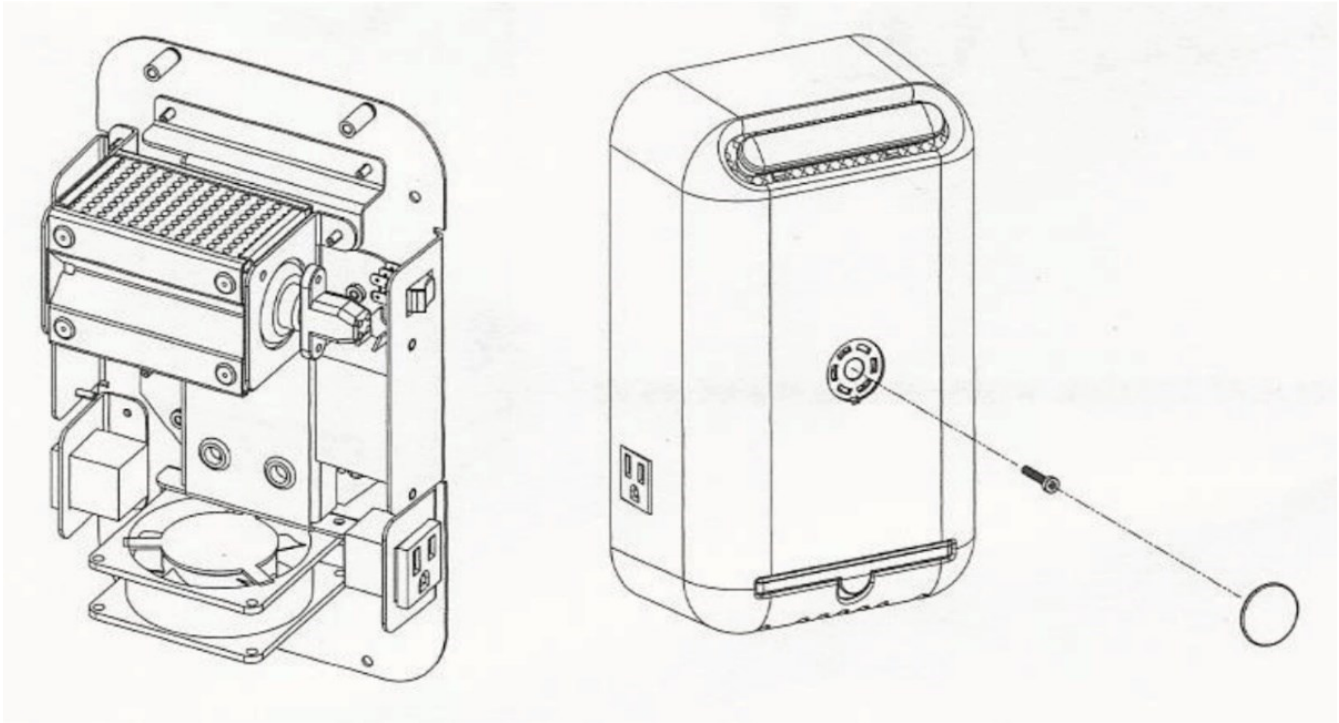


WARNING!

- Disconnect power at the breaker or fuse panel before installing the CIMR® unit.
- Unit switch should be in the OFF position.

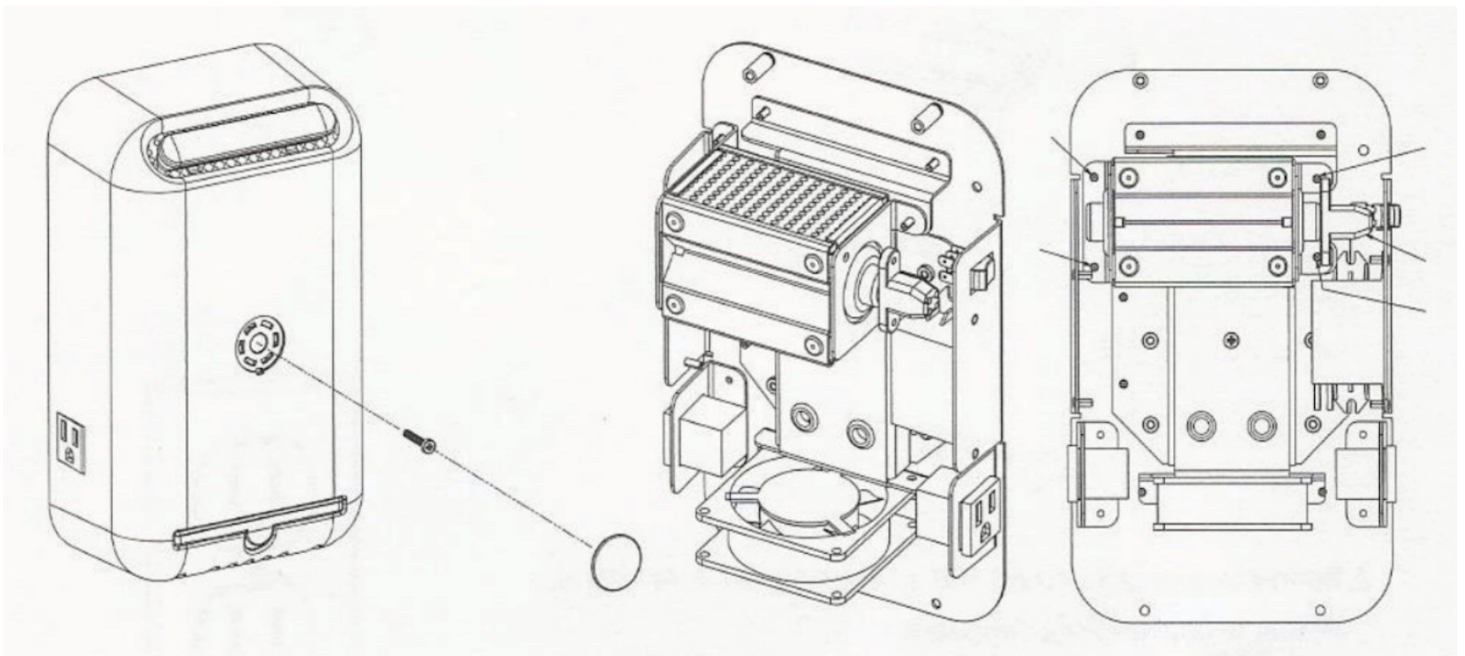
NOTE:

- For optimal performance, we recommend the replacement of the CIMR® cell every year.
- Remove the cover of the CIMR® unit by removing the four (4) screws on the back.
- Remove four (4) nuts holding CIMR® cell in place.
- Remove CIMR® cell by lifting it out.
- Disconnect the bulb power connector from the bulb end.



REPLACING THE CIMR® CELL

- Replace the CIMR® cell by reversing steps above.
- Return to CIMR® unit and put the four (4) cover screws back into place.





FCC STATEMENT AND USER INFORMATION

- This equipment has been tested and found to comply with the limits for Industrial, Scientific, and Medical Equipment (ISM), pursuant to Part 18 of the FCC Rules.
- These limits are designed to provide reasonable protection against harmful interference when the equipment is operated in a commercial environment.
- This equipment generates, uses, and can radiate radio frequency energy, and if not installed and used in accordance with the instructions, may cause harmful interference to radio communications.
- Operation of this equipment in a residential area is likely to cause harmful interference in which case the user will be required to correct the interference at his own expense.

WARRANTY

- The CIMR® unit must be connected to a UPS power supply to maintain a smooth and clean, reliable 110/120 V AC power supply (serving as a conditioner) to be covered under this warranty.
- For international installations, if the CIMR® unit requires a 220/240V AC power supply, the CIMR® unit must be connected to both a step-down transformer and a UPS power supply to maintain a smooth and clean, reliable 110/120 V AC power supply (serving as a conditioner) to be covered under this warranty.
- The Manufacturer warranties the original purchaser, only to be free from defects in materials and workmanship for three (3) years from the date of purchase.
- The CIMR® cell has a one (1) year warranty with a life expectancy of 2-3 years from the date of purchase.
- CIMR® equipment liability under this warranty shall be limited to repair, or at the manufacturer's option, replacement without charge, excluding transportation/shipping.
- All transportation/shipping costs or charges on parts or CIMR® units submitted under this warranty shall be borne by the purchaser unless agreed to by the manufacturer in writing.
- The manufacturer can either perform the warranty worksite or at the location where installed.
- Equipment returned for repair after the warranty period or show damage for which the manufacturer is not responsible will be repaired at a reasonable charge.
- The manufacturer will advise the customer of the cost before proceeding.
- Under its sole discretion, the manufacturer will not warranty the CIMR® unit is subjected to improper voltage, alteration, misuse, negligence, accident, or damage, and unauthorized service.

Warranty issued by:

CIMR-TECH

A division of HI-TECH Air & Water Purification, LLC.

Lamar University-CICE

5091 Rolfe Christopher, Suite 213

Beaumont, TX 77705



info@cimrtech.com
(866) 231-3687 Option #2

CIMR® is the solution.
CIMR® protects lives, businesses and economies.
CIMR® is the way forward!

END